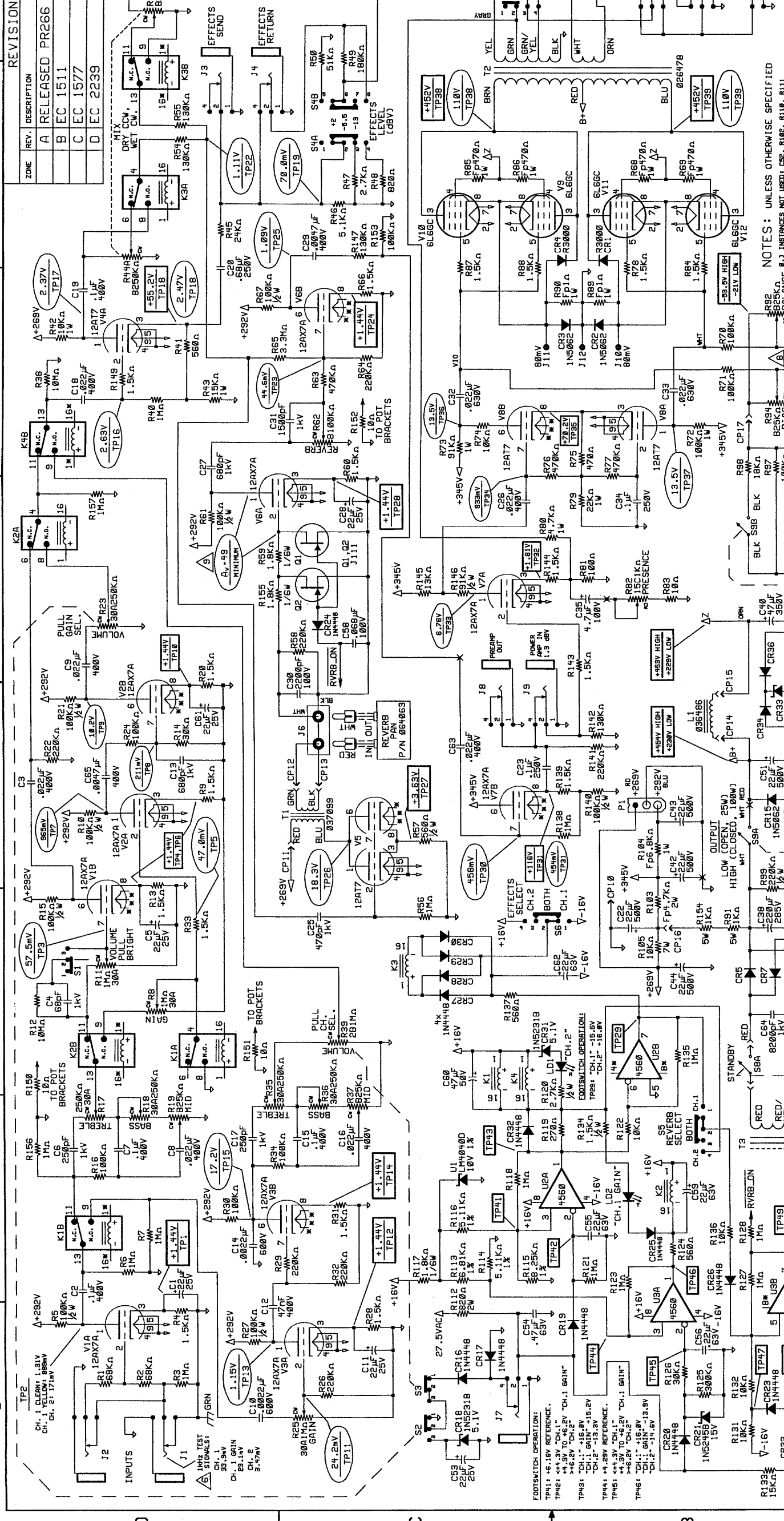
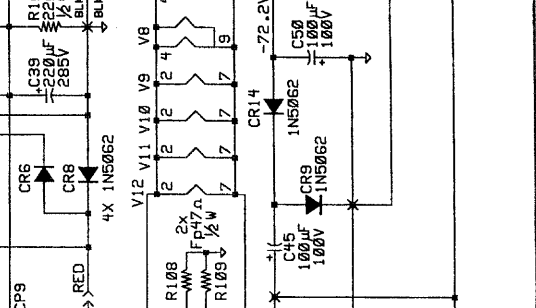
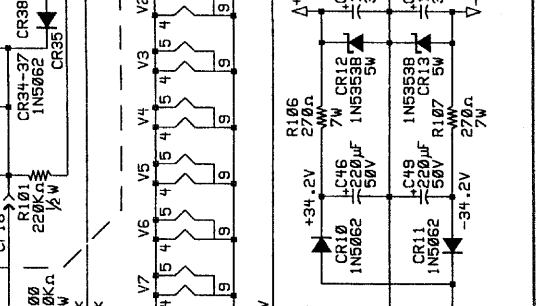
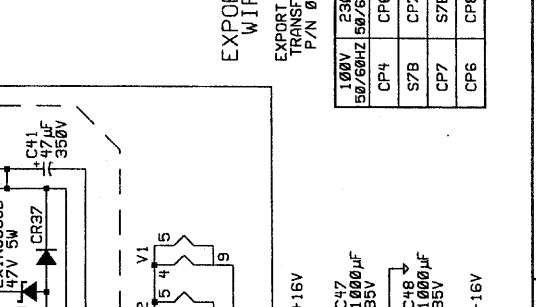
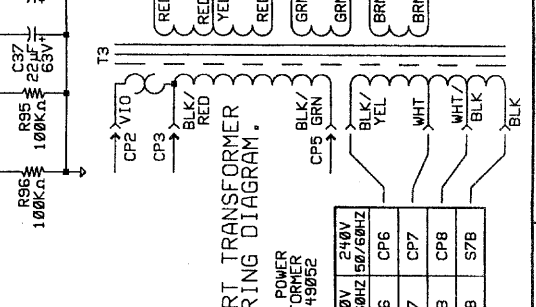
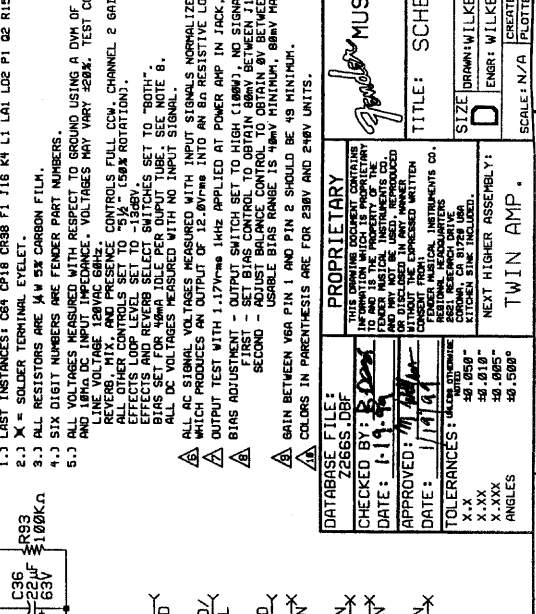


ZONE	REV.	DESCRIPTION	DATE	APPROVED
	A	RELEASED PR266	09-SEP-94	
	B	EC 1511	14-JUL-95	MDW
	C	EC 1577	29-SEP-95	MDW
	D	EC 2239	16-DEC-98	MDW



OUTPUT TEST: Δ 28.3Vrms INTO AN 8Ω RESISTIVE LOAD, 5% T.H.D., 1KHz, WITH RATED LINE VOLTAGE AT POWER TRANSFORMER PRIMARY.

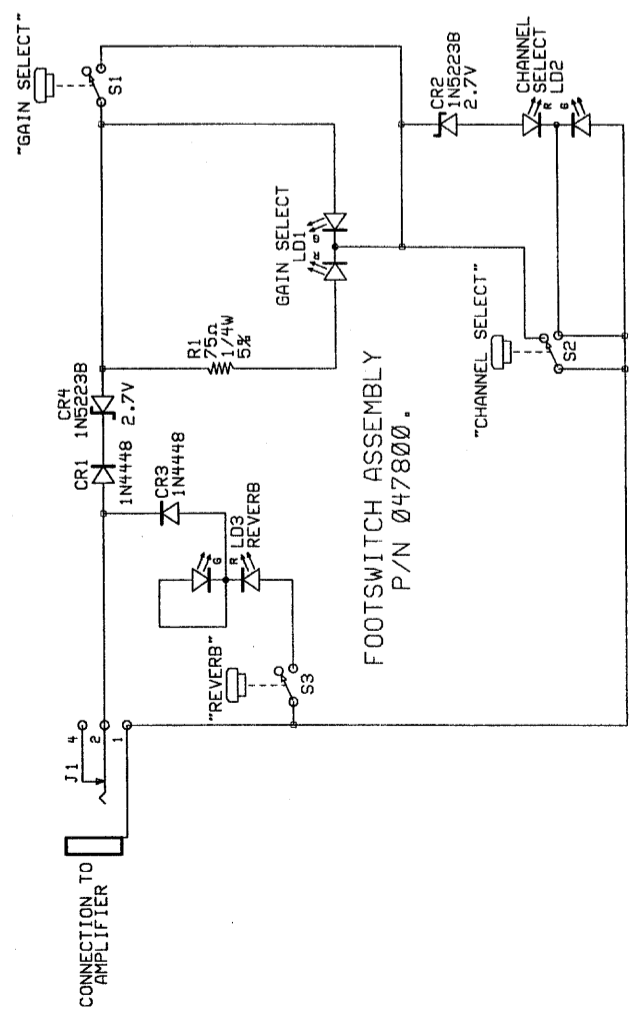
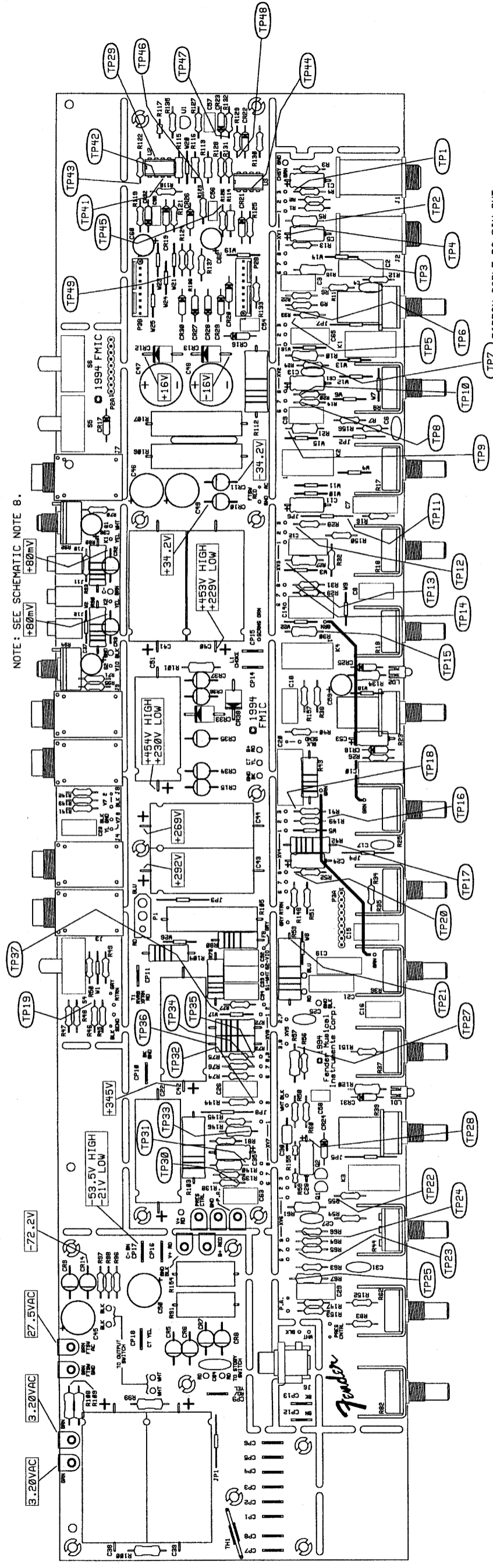
NOTES: UNLESS OTHERWISE SPECIFIED
 0.3 INSTANCES NOT USED: CR2, R102, R110, R111
 1.3 LAST INSTANCES: CR4, CR16, CR38, F1, I16, K4, L1, L4, L2, P1, Q2, R185, S10, T3, TH1, US, V12
 2.3 X = SOLDER TERMINAL EYELET
 3.3 ALL RESISTORS ARE 1/4 W CARBON FILM.
 4.3 SIX DIGIT NUMBERS ARE FINDER PART NUMBERS.
 5.3 PADS AND VOLTAGES INDICATED IN PARENTHESES. VOLTAGES MAY VARY 25%. TEST CONDITIONS:
 REVERB, MIX, AND PRESENCE CONTROLS FULL CCW, CHANNEL 2 GAIN CONTROL FULL CCW.
 ALL OTHER CONTROLS SET TO "50% (50% ROTATION)".
 EFFECTS AND REVERB SELECT TO "BOTH".
 BIAS SET FOR 40mA IDLE PER OUTPUT TUBE. SEE NOTE 6.
 ALL AC SIGNAL VOLTAGES MEASURED WITH INPUT SIGNALS NORMALIZED TO PRODUCE 2.65Vrms AT TP16 WHICH PRODUCES AN OUTPUT OF 12.0Vrms INTO AN 8Ω RESISTIVE LOAD AT TP49.
 BIAS ADJUSTMENT - OUTPUT SWITCH SET TO HIGH (100%), NO SIGNAL APPLIED!
 FIRST - ADJUST BIAS CONTROL TO OBTAIN BETWEEN 110 AND 115.
 SECOND - ADJUST BIAS RANGE IS 10mA MINIMUM, 80mA MAXIMUM.
 GAIN IN PARENTHESES ARE FOR 230V AND 240V UNITS.



FILM/DWG: SERVICE DIAGRAM
 DATABASE: Z266P.DBF DATE: 20-JAN-99
 LAYERS PLOTTED: 1 2 3 4 10 18

ZONE	REV.	DESCRIPTION	DATE	APPROVED
	B	EC 1511	14-JUL-95	
	C	EC 1577	29-SEP-95	
	D	EC 2239	16-DEC-98	

NOTE: SEE SCHEMATIC NOTE 8.



RIBBON CABLE P2 PIN-OUT.

PIN NO.	CONNECTS NODE COMMON TO:
1	R112, C54, CR19 A, CR20 A, R133
2	J7 SHUNT, CR16 A, CR17 K
3	R119, R120, R134, S5 PIN 4, K1 K4 PIN 16, C60 -
4	S5 PIN 2, R136
5	U2B PIN 7, R135, R137, S5 PIN 1
6	+16V SUPPLY TO S6 PIN 4
7	CR28 A, CR29 K, S6 PIN 2
8	-16V SUPPLY TO S6 PIN 1
9	FOOTSWITCH CIRCUITRY GROUND

- TP26 AT XV5 PINS 1&6 (BLUE WIRE).
- TP38 AT XV10 PIN 3 (BROWN WIRE).
- TP39 AT XV12 PIN 3 (BLUE WIRE).
- TP40 AT MAIN SPEAKER JACK TIP (GREEN WIRE).

NOTES:
 1.) PCB SHOWN AS FABRICATED BEFORE BREAKAWAYS ARE PLACED IN CHASSIS.
 2.) WIRES NOT SHOWN FOR CLARITY.

PROPRIETARY
 THIS DRAWING DOCUMENT CONTAINS
 INFORMATION WHICH IS PROPRIETARY
 TO FENDER MUSICAL INSTRUMENTS CO.
 WITHOUT THE EXPRESSED WRITTEN
 PERMISSION OF FENDER MUSICAL
 INSTRUMENTS CO., NO PART OF THIS
 DRAWING IS TO BE REPRODUCED,
 COPIED, OR IN ANY MANNER
 TRANSMITTED IN ANY FORM OR BY
 ANY MEANS, ELECTRONIC OR
 MECHANICAL, INCLUDING
 PHOTOCOPYING, RECORDING,
 OR BY ANY INFORMATION
 STORAGE AND RETRIEVAL
 SYSTEM.

DATABASE FILE: Z266P.DBF
 CHECKED BY: [Signature]
 DATE: 1/19/99
 APPROVED BY: [Signature]
 DATE: 1/19/99
 TOLERANCES: X.X
 X.XX
 X.XXX
 ANGLES: 30 60/5
 30 50/8

MUSICAL INSTRUMENTS
 2621 Research Drive
 Corona, CA 91726 USA

TITLE: SERVICE DIAGRAM,
 TWIN AMP.

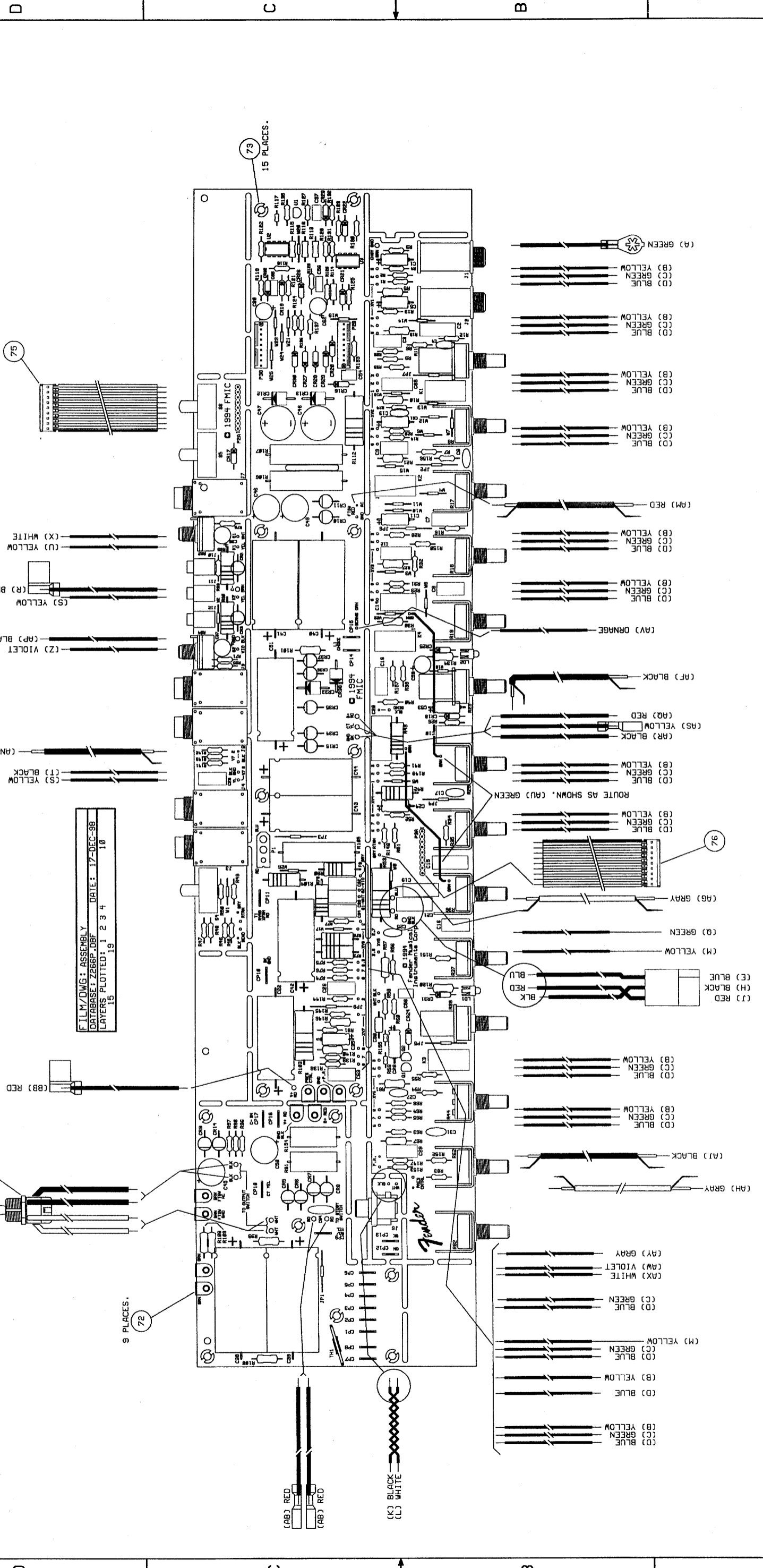
SIZE: DRAWN: WILKENS
 ENGR: WILKENS
 DRAWING NUMBER: 047769
 REV. D

SCALE: NONE PLOTTED: 20-JAN-99 SHEET 1 OF 1

REVISIONS			
ZONE	REV. DESCRIPTION	DATE	APPROVED
	A	RELEASED PR266	
	B	EC 1349	09-SEP-94
	C	EC 1511	03-DEC-94
	D	EC 1577	14-JUL-95
	E	EC 2239	29-SEP-95
			MDW
			MDW

ZONE	REV. DESCRIPTION	DATE	APPROVED
	A	RELEASED PR266	
	B	EC 1349	09-SEP-94
	C	EC 1511	03-DEC-94
	D	EC 1577	14-JUL-95
	E	EC 2239	29-SEP-95
			MDW
			MDW

ZONE	REV. DESCRIPTION	DATE	APPROVED
	A	RELEASED PR266	
	B	EC 1349	09-SEP-94
	C	EC 1511	03-DEC-94
	D	EC 1577	14-JUL-95
	E	EC 2239	29-SEP-95
			MDW
			MDW



NOTES:

- LETTER AT WIRE DESIGNATES ITEM LETTER ON PCB WIRE SET P/N 049080.
- WIRES SHOWN WITH X-POSITION IN LINE WITH RESPECTIVE HOLES UNLESS SHOWN OTHERWISE.
- ADHERE C22, C38, C39, C40, C41, C42, C43, C51, C59, C60, C62, C44, R105, R106, R107 TO PCB WITH RTV SILICON RUBBER COMPOUND.
- INSTANCES NOT USED: C52 R102 R110 R111

PROPRIETARY
THIS DRAWING CONTAINS INFORMATION THAT IS THE PROPERTY OF FENDER MUSICAL INSTRUMENTS CO. AND MAY NOT BE USED, REPRODUCED OR DISCLOSED IN ANY MANNER WITHOUT THE WRITTEN CONSENT OF FENDER MUSICAL INSTRUMENTS CO.

DATE: 1/14/94
APPROVED: MDW
CHECKED BY: MDW
DATABASE FILE: Z266P.DBF

TOLERANCES: ANGLES: X.XX, X.XXX, X.XXX
DIMENSIONS: .005, .010, .015, .020, .030, .040, .050, .060, .070, .080, .090, .100, .125, .150, .175, .200, .250, .300, .375, .500, .625, .750, .875, 1.000, 1.250, 1.500, 1.750, 2.000, 2.500, 3.000, 3.750, 4.000, 4.500, 5.000, 5.500, 6.000, 6.500, 7.000, 7.500, 8.000, 8.500, 9.000, 9.500, 10.000

SIZE: DRAWN: WILKENS | DRAWING NUMBER: 047771 | REV. E
ENGR: WILKENS | NEXT HIGHER ASSEMBLY: TWIN AMP
CREATED: JANUARY '94 | PLOTTED: 17-DEC-98 | SHEET 1 OF 4

MUSICAL INSTRUMENTS
2621 Research Drive
Corona, CA 91720 USA
TITLE: ASSEMBLY DIAGRAM,
.94 TWIN.